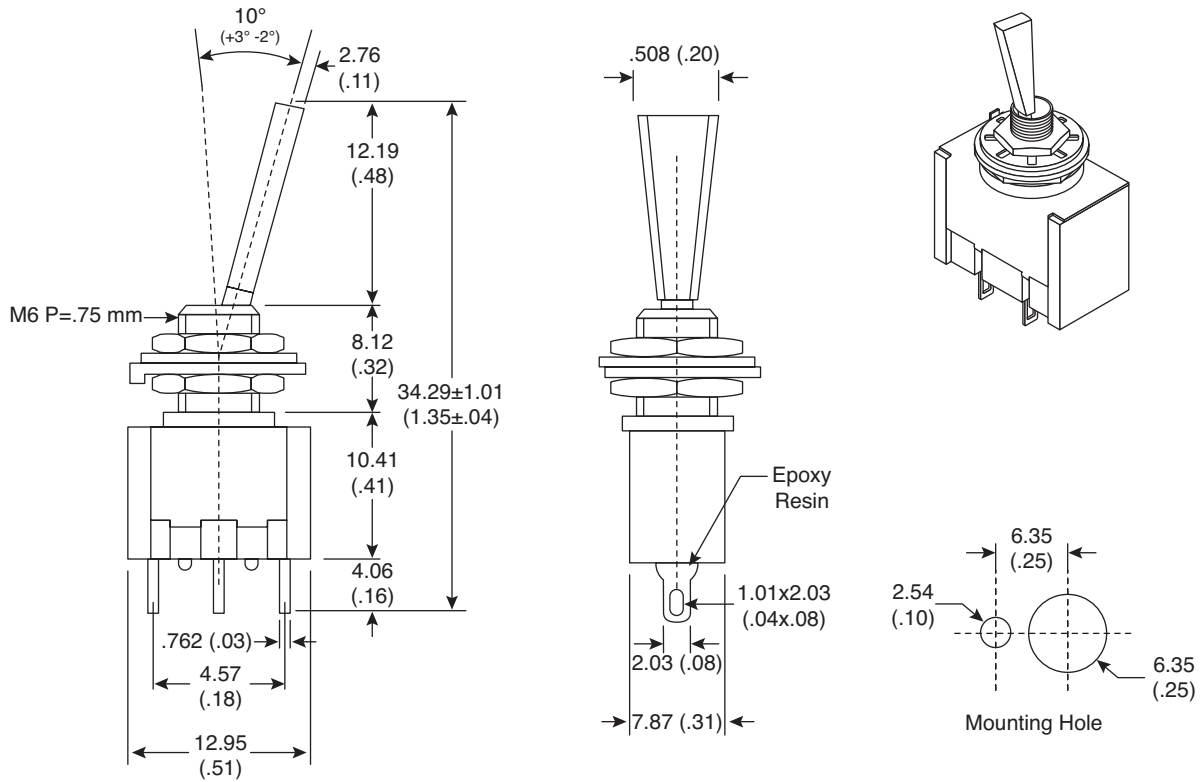


Dimensions: mm (In.)



**Electrical Specifications:**

- Contact resistance: 20mΩ (max)
- Dielectric Strength: 1000VAC for 1 min
- Insulation resistance: 100MΩ (min)
- Rating: 6A/125VAC, 3A/250VAC

**Material:**

- Internal Contact: Silver and Copper

( ) = Momentary contact

Mouser Stock No.	Type	Circuit
10TA320	SPST	On-Off
10TA330	SPDT	On-Off
10TA335	SPDT	On-Off-On
10TA345	SPDT	(On)-Off(On)
10TA360	DPDT	On-On
10TA375	DPDT	(On)-Off-(On)

Miniature Toggle Switches  
 10TA320, 10TA330, 10TA335, 10TA345,  
 10TA360, 10TA375

